

## Description:

NE555 Pulse Frequency Duty Cycle Adjustable Module Square Wave Signal Generator is 5 V square wave signal generator. It generates a square wave signal used for experimental development. Also, use to drive a stepper motor for generating a square wave drive signal.

The output duty cycle can fine-tune. Duty cycle and frequency is not separately adjustable, adjusting the duty cycle will change the frequency.

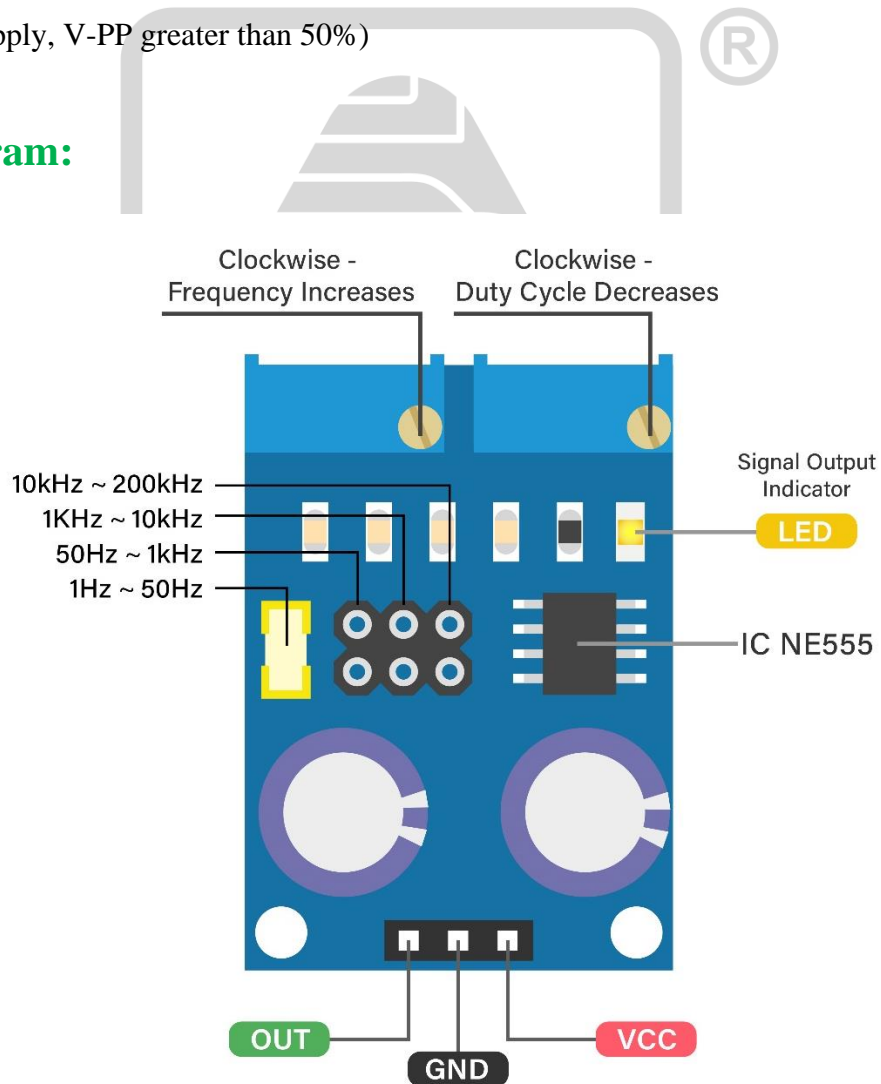
The output frequency is adjustable:

- Period  $T = 0.7 (RA + 2 RB) C$
- RA, RB is 0-10K adjustable;
- Low profile when  $C = 0.001\mu F$ ;
- IF stalls  $C = 0.1\mu F$ ;
- High-frequency file  $C = 1\mu F$ ;
- HF stalls  $C = 100\mu F$ ;
- So buyers can calculate the frequency of the waveform.

## Specifications and Features:

1. Generate an adjustable pulse for MCU.
2. Generate an adjustable pulse, to control circuitry associated.
3. The output current can be 15 MA around; when 12V power supply, the output current can 35 MA around
4. Output with LED indication (low level, LED will on; high level, LED will off; low frequency, the LED flashes).
5. Max Output Current:  $\geq 15\text{MA}$  (5V power supply, V-PP greater than 50%),  $\geq 35\text{MA}$  (12V power supply, V-PP greater than 50%)

## Pin Diagram:



## Applications:

- As a square wave signal generator generates a square wave signal used for experimental development.
- Used to drive a stepper motor for generating a square wave drive signal.
- Generate an adjustable pulse for MCU.
- Generate an adjustable pulse, to control circuitry associated.

